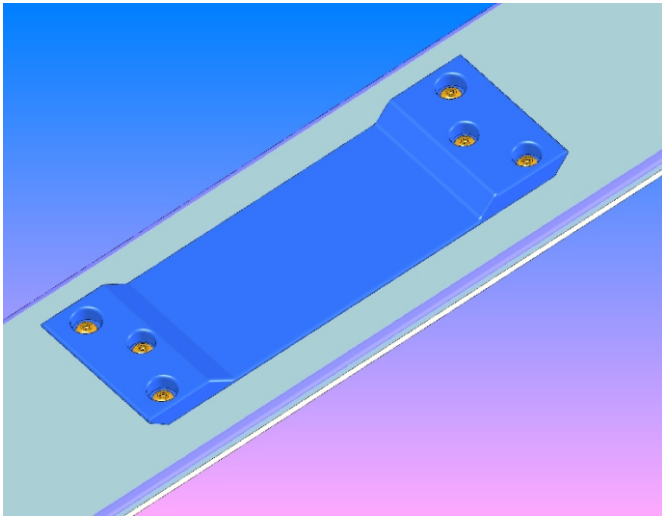


# Anatol Style Production Accessories

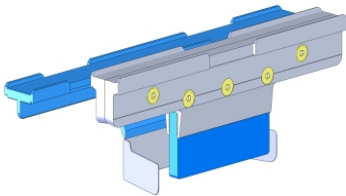


## Quick Release Pallets - Solid Aluminum & Soft Top Rubber

Pallets are available in a full range of sizes for your Anatol machine. Everything is made using solid aluminum and soft top rubber and **available with either the slide style or clip on style**



**Specialty Pallets**  
are available for you Anatol



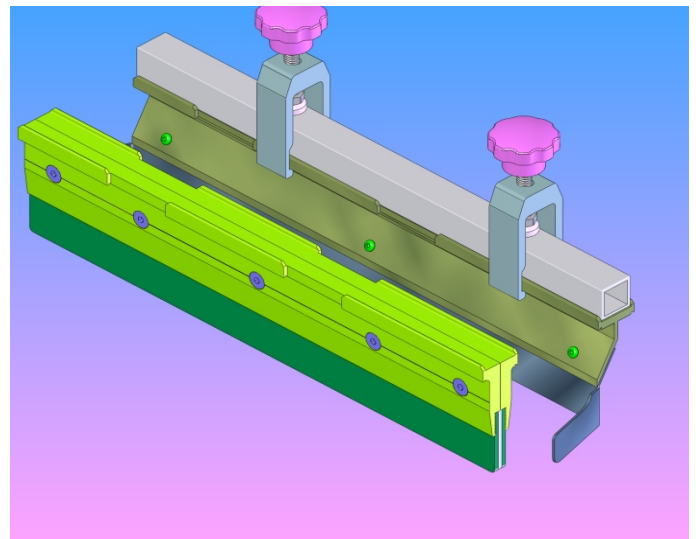
### Available Sizes

10" x 16"	8" x 22"
12" x 16"	10" x 22"
14" x 16"	12" x 22"
16" x 16"	14" x 22"
16" x 18"	16" x 22"
4" x 22"	18" x 22"
5" x 22"	20" x 22"
6" x 22"	20" x 30"

Our Two Piece - EZ Clean Squeegee. Fit's all machines with similar 1" mounting bar.

Every consideration was given to making this squeegee precise, easy to change the rubber, and very cleanup friendly. One side has countersunk through holes for flat head screws and the other side is threaded. This eliminates nut & bolt protrusions that snag your rag during wiping.

Winged Floodbars Save so much Time and Effort that they're almost justified in a couple of days production. Mix less ink, put less ink in your screen, and don't worry about having to scrape the ink from the sides of the frame back into the ink well. Thousands have been shipped the world over



**Distributed By:**