

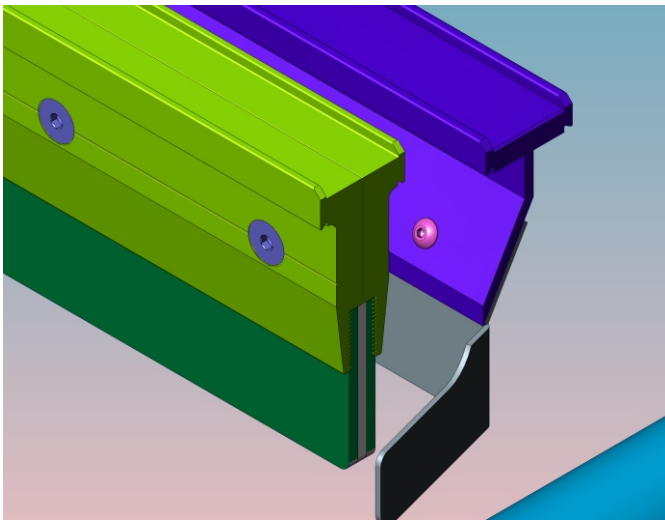
M&R® Style EZ-Clean Squeegees



Purpose & Features

Our **Two Piece - EZ Clean Squeegee.**

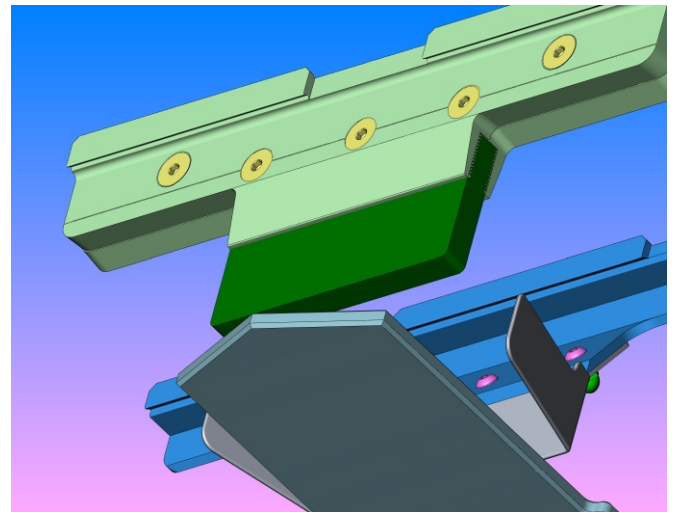
Precise, easy to change the rubber, and very cleanup friendly. NO nut & bolt protrusions that snag your rag during wiping. No openings or gaps between the profiles for ink to get trapped.



Let us Install the Squeegee Rubber for you - The rubber is slightly over cut and installed with a keen eye for straightness. The assembled squeegee is then taken to one our trusty power saws where it's very slightly shaved. A slight bit more edge sanding and cleanup, and it's the finest squeegee you can get.



U-Clamps - Plenty In Stock and Improved from the original design.



4" Mini-Squeegee Perfect for Sleeve Printing. Now you can now enjoy the **benefit** of Winged Floodbars in just the right size. Made with an overall length of **12"** for easy machine interface and machined to accept a laser cut 4" stainless steel winged attachment

Stock Sizes
10" EZ Clean Squeegee - 2 Piece
12" EZ Clean Squeegee - 2 Piece
16" EZ Clean Squeegee- 2 Piece
18" EZ Clean Squeegee- 2 Piece
22" EZ Clean Squeegee- 2 Piece
4" EZ Clean Squeegee-w/ Rubber
4" Double-EZ Clean Squeegee
Non-Standard Available

Distributed By: