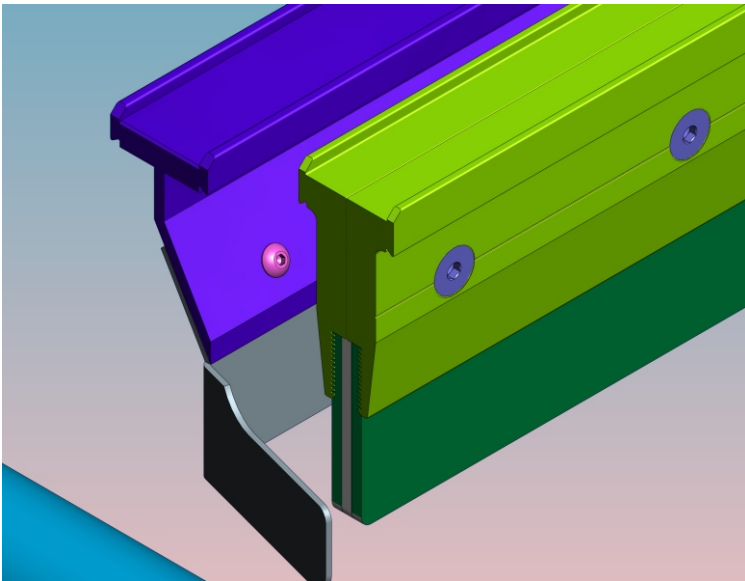


M&R® Style Winged Floodbars

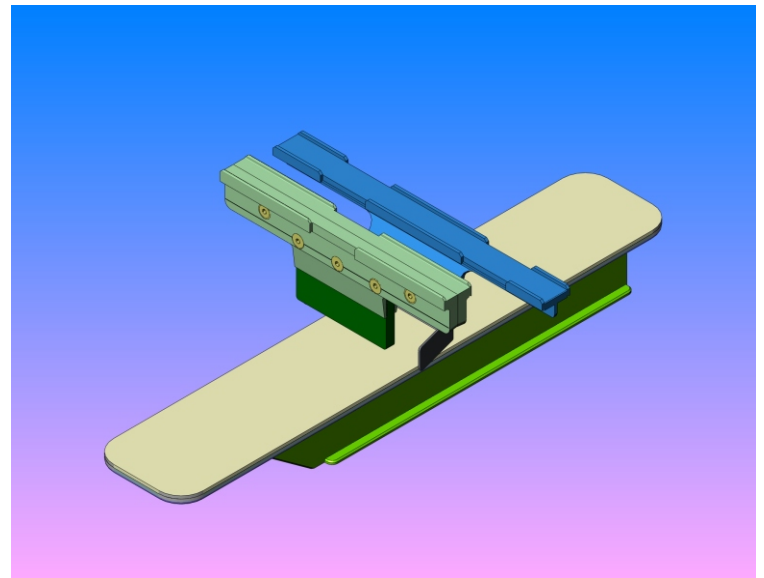


Purpose & Features

Winged Floodbars Save so much Time and Effort that they're almost justified in a couple of days production. Mix less ink, put less ink in your screen, and don't worry about having to scrape the ink from the sides of the frame back into the ink well. Thousands have been shipped the world over.



- Eliminate the Need to use a Spatula
- Improves Productivity
- Reduces ink Usage
- Made of Ultra-Hard Stainless Steel



Available Sizes

Winged Floodbars
12" Winged Floodbar
16" Winged Floodbar
18" Winged Floodbar
4" Mini Winged Floodbar
4" Double Mini Winged Floodbar
Custom Sizes Available - 12 pc Min.

4" Mini...Winged Floodbar. Perfect for Sleeve Printing. Now you can now enjoy the advantages of Winged Floodbars in just the right size. Made with an overall length of 16" for easy machine interface and machined to accept a laser cut 4" stainless steel winged attachment

Distributed By: