

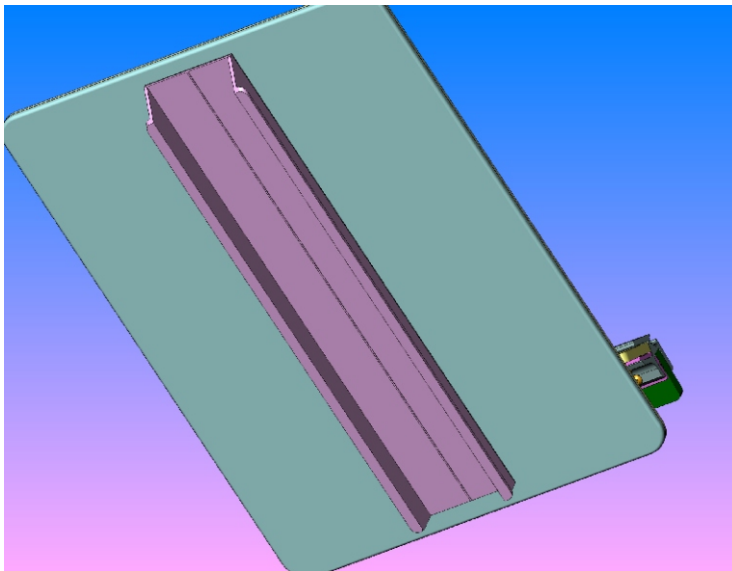
TUF Style Production Accessories



Purpose & Features

These are the best pallets money can buy for your TUF machine. Made with Solid Aluminum & Soft Top Rubber and in stock awaiting your order.

Solid Aluminum & Soft Top Rubber



Specialty Pallets are available for you TUF

The V-Squeegee for use on your TUF automatic is now available. The goal of this design was to make blade changes fast and easy. They are shipped with standard 70 & 90 durometer rubber.

Available Sizes

| |
|-----------------------------|
| 10" Squeegee/ Floodbar |
| 12" Squeegee/ Floodbar |
| 16" Squeegee/ Floodbar |
| 17" Squeegee/ Floodbar |
| 18" Squeegee/ Floodbar |
| 21" Squeegee/ Floodbar |
| Non-Standard Squeegee sizes |

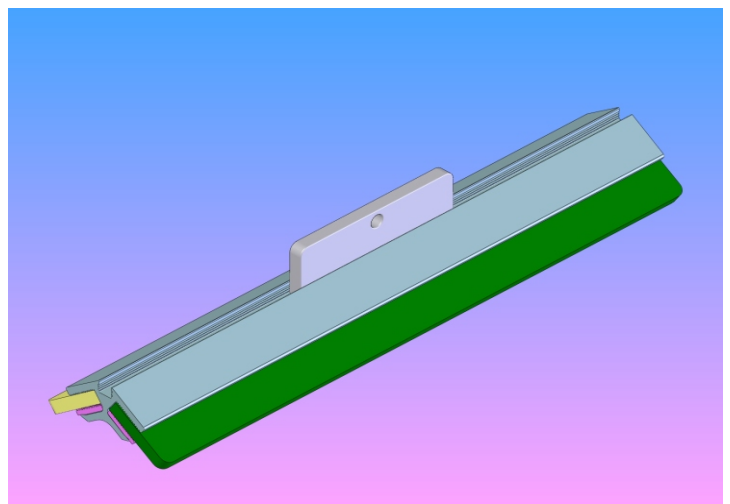
TUF Style Pallets are height matched to your originals. The custom extruded bracket is 1/8" shorter than your original to account for the rubber.

Fast & Friendly Service is what we're known for. We maintain a stock of the standard sizes and can produce custom sizes quickly. Please call us to discuss your special application.

Available Sizes

| | |
|-----------|-----------|
| 4" x 22" | 17" x 22" |
| 6" x 22" | 18" x 22" |
| 10" x 22" | 20" x 30" |
| 12" x 22" | 22" x 30" |
| 14" x 22" | 24" x 30" |
| 16" x 22" | 24" x 30" |

V-Squeegee



Distributed By: